



ALPEN

CLEAR PERFORMANCE

- Choose from our five standard colors with optional stainable Oak interior
- The strength and benefits of an all fiberglass composition
- Prefinished interior and exterior in five standard colors – ask your dealer about custom colors as well
- Popular transitional style trimsets in multiple colors and finishes
- Clean narrow line stile and rail, giving full view and maximum daylighting
- Commercial air, water, and structural performance ratings from C30 - C50 (AAMA Gold Labeled)
- Excellent thermal performance ratings ranging from R 3.4 to R 7.1

New Product

Fiberglass Sliding Patio Door



Hardware Handle Style

Standard Fiberglass Colors



White Beige Sandstone Bronze Slate

Standard Hardware Colors



White Black Chestnut

Optional Hardware Finishes



Oil Rubbed Bronze Bright Brass Antique Brass Satin Nickel

Optional Interior Laminate



Oak

Fiberglass Sliding Patio Door

Features and Benefits

- Sturdy, low maintenance fiberglass frame
- Paintable interior/exterior
- Available in standard White, Beige, Sandstone, Slate and Bronze; custom colors also available
- Optional stainable oak veneer interior
- Durable fiberglass sill
- Stainless steel roller tracks for panel and screen
- Heavy duty extruded aluminum screen
- Full perimeter double weather stripping
- Pocket fitting panels for extra security and prevention of air and water penetration
- Sill riser for additional water penetration avoidance
- Slim line stile and rail, giving full view and maximum daylighting

Designer Hardware

- Popular transitional style trimsets
- Integrated key cylinder
- Multipoint locking hardware with lockout prevention

Specifications

- C30 – 12068 Three Panel
- C40 – 8080 Two Panel
- C50 – 9068 Three Panel
- C50 – 6068 Two Panel :

Performance Specifications:

Product Family	R-Value	SHGC	VT	U-Factor	CR
525 Series – 5H	4.8	0.39	0.52	0.21	55
525 Series – 5L	5.0	0.25	0.42	0.20	57
525-S Series – 5H	5.3	0.41	0.53	0.19	62
525-S Series – 5L	5.6	0.26	0.42	0.18	63
725 Series – 7H	5.6	0.41	0.53	0.18	59
725 Series – 7L	5.9	0.26	0.42	0.17	60
925 Series – 9H	6.7	0.35	0.47	0.15	66
925 Series – 9L	7.1	0.24	0.37	0.14	66

Alpen High Performance Products

info@ThinkAlpen.com

www.ThinkAlpen.com

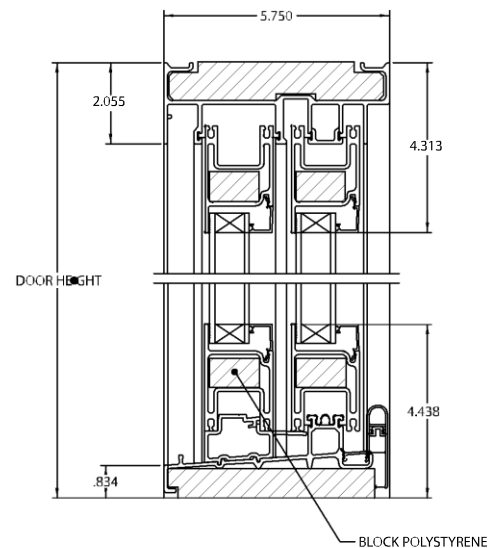
Tel: 303-834-3600

800-882-4466

Fax: 303-834-3541

©2012 Alpen High Performance Products | 12-2013

Vertical Cross Section View



Two Panel

5068*

6068*

8068

8080*



XO

Min: 59-1/4" x 79-1/2"

Max: 95-1/4" x 95-1/2"

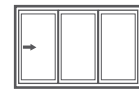


OX

Three Panel

9068*

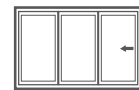
12068



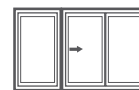
XOO

Min: 88-13/16" x 79-1/2"

Max: 142-13/16" x 95-1/2"



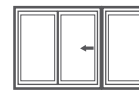
OOX



SXO

Min: 91-7/8" x 79-1/2"

Max: 145-7/8" x 95-1/2"

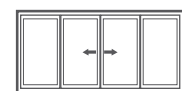


OXS

Four Panel

12068

16068



OXXO

Min: 115-3/4" x 79-1/2"

Max: 187-3/4" x 95-1/2"

* Commonly stocked item